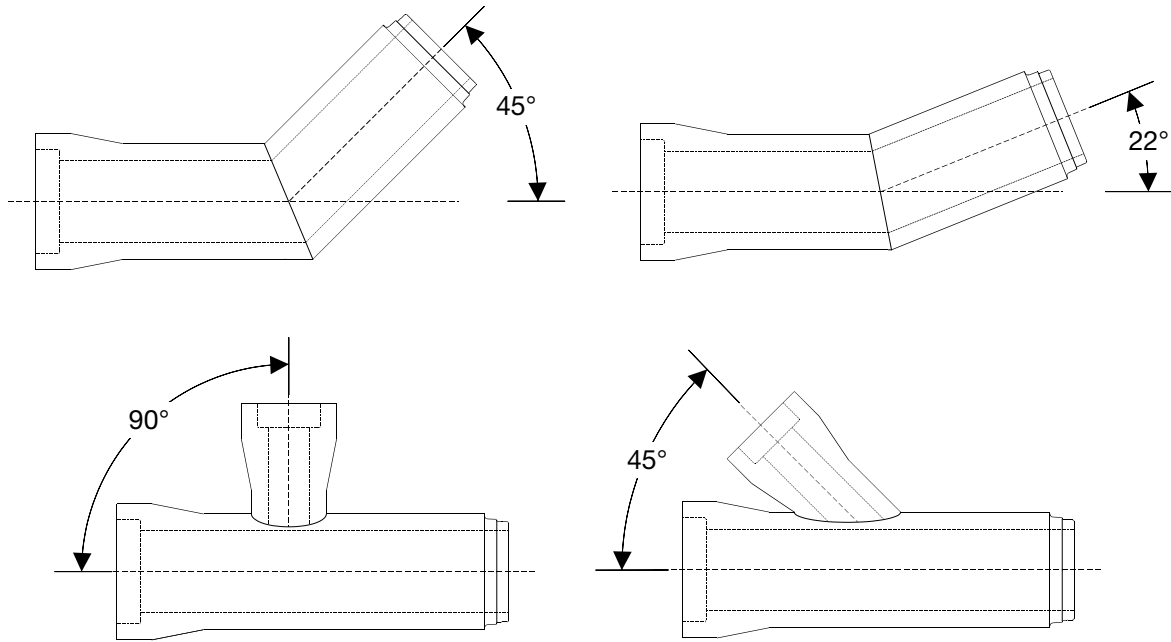
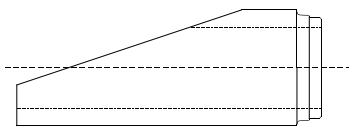


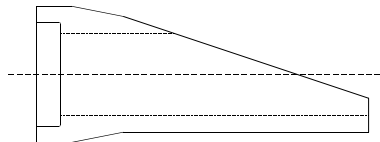
Concrete Pipe Fittings



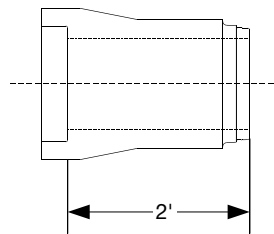
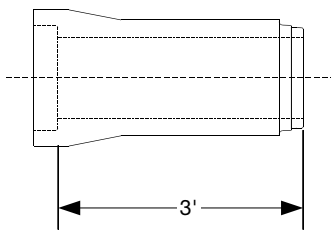
Please specify bevels as needed



3' PIPE SHORTS AVAILABLE
IN 18", & 24" ONLY



2' PIPE SHORTS AVAILABLE
IN 12" ONLY



Note: drawings not to scale