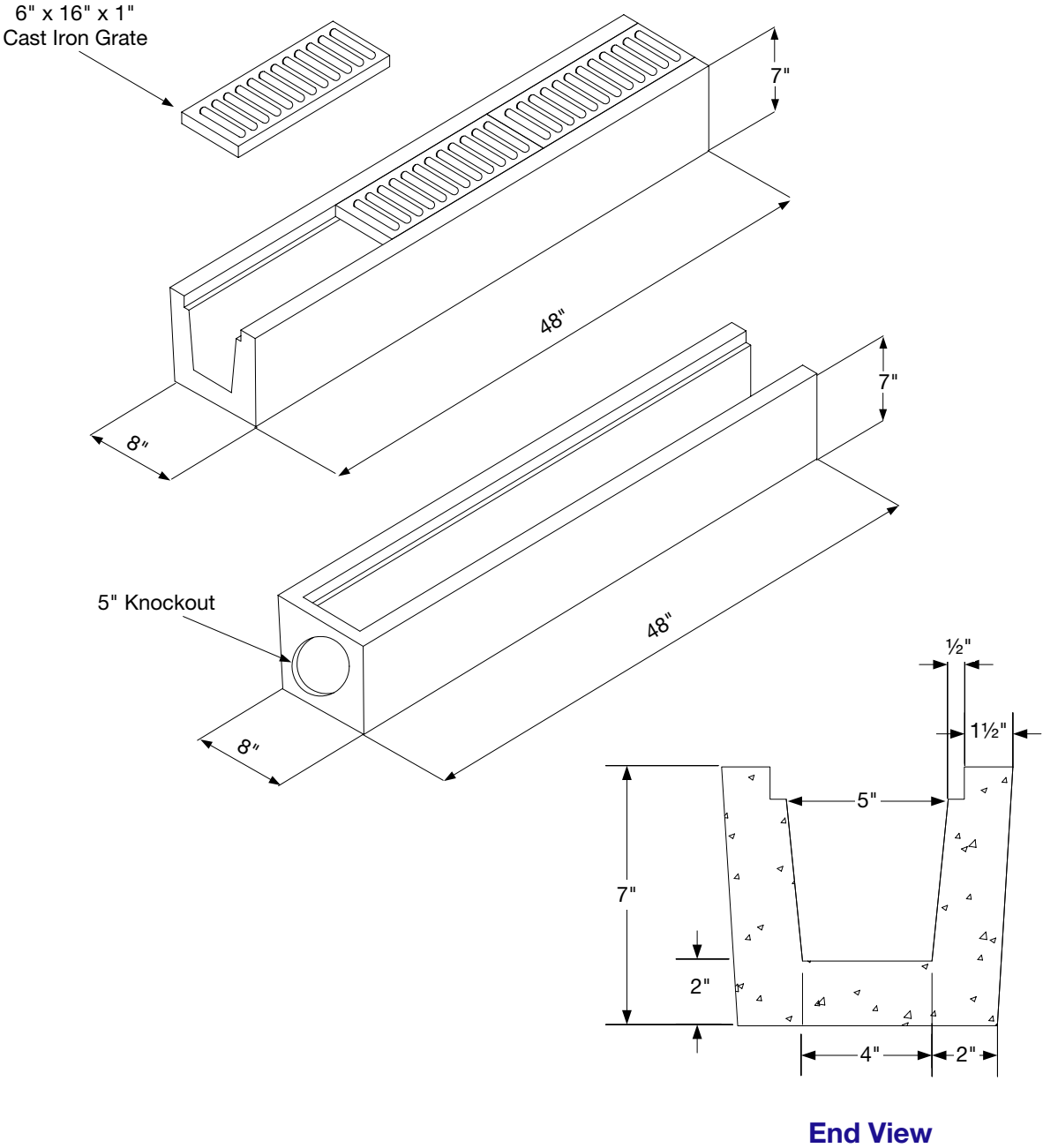


Trench Drain

Item Details

- 10 guage 6" x 6" wire mesh reinforcing



Note: drawings not to scale



Shope Enterprises, Inc.
1618 East Main Avenue
Puyallup, WA 98372-3142

(253) 848-1551
Fax Line 1 (253) 845-0292
Fax Line 2 (253) 864-6172

1-800-422-7560 [Toll Free - WA only]
www.shopeconcrete.com