

## 96" Type B Precast Manhole

City of Seattle Standard Plan 204a


### Flat Top Slab Reinforcing

- #6 deformed rebar
- Round opening
- City of Seattle requirements

### Manhole Wall Reinforcing

- Minimum 0.24 square inches / linear foot

### Base Reinforcing

-  Separated base slab 0.39 square inches / linear foot in both directions

### Hole or Knock Out Dimensions

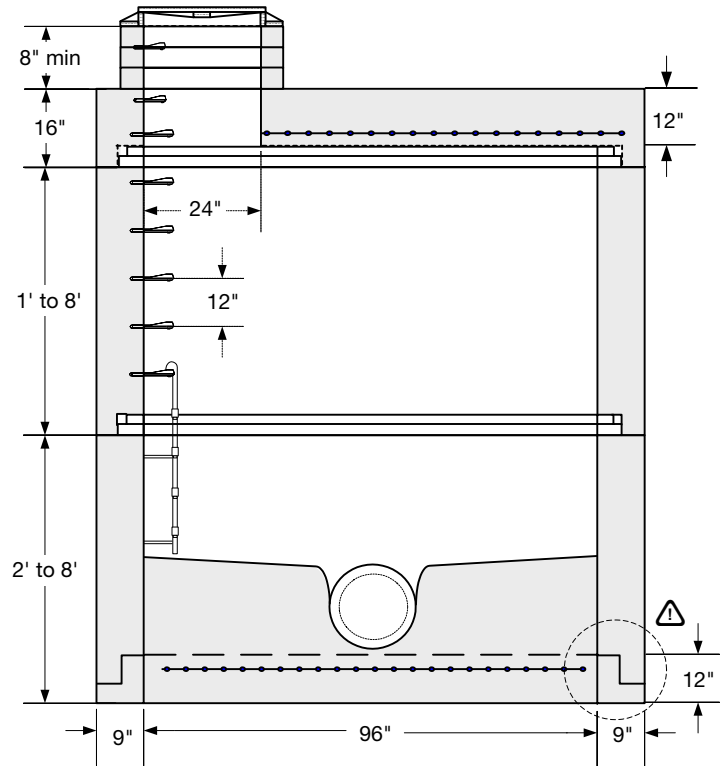
- Maximum hole size is 84 inches
- 12 inches of minimum distance between holes
- 3 inch diameter lifting holes provided

### Conformity Standards

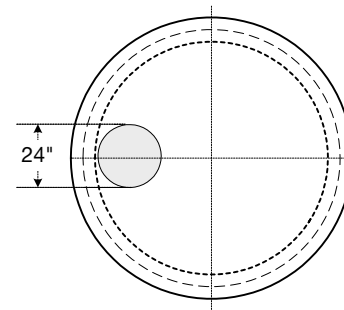
- ASTM C478 - 97 Manhole
- ASTM C443 rubber gasket joint
- ASTM D - 4101 polypropylene steps and ladders
- City of Seattle Department of Engineering

### Options Available

- Specialized coatings
- Prechanneled base
- Custom hatches
- Kor-N-Seal boots



### Top Slab Plan View



Note: drawings not to scale