

## 96" Type A Precast Manhole

City of Seattle Standard Plan 204a

### Cone Reinforcing

- Minimum 0.120 square inches / linear foot

### Flat-Top Slab Reinforcing

- #6 deformed bar
- City of Seattle requirements

### Manhole Wall Reinforcing

- Minimum 0.24 square inches / linear foot

### Base Slab Reinforcing

- ⚠ Separated base slab 0.39 square inches / linear foot both directions

### Hole or Knock Out Dimensions

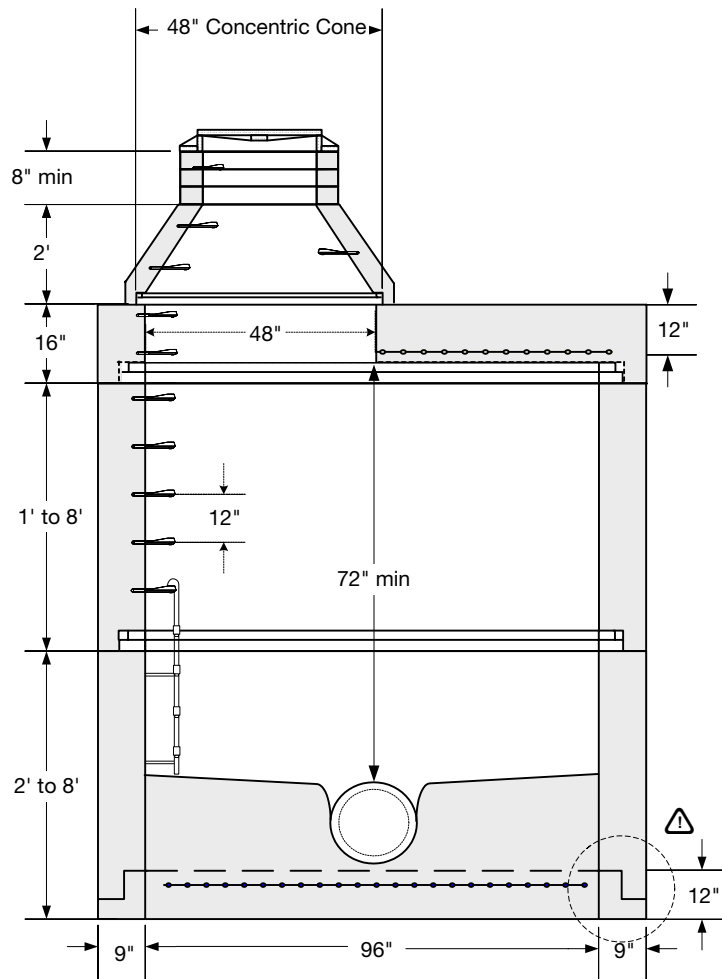
- Maximum hole size is 84 inches
- 12 inches of minimum distance between holes
- 3 inch diameter lifting holes provided
- Cored holes available

### Conformity Standards

- ASTM C478 - 97 Manhole
- ASTM C443 rubber gasket joint
- ASTM D - 4101 polypropylene steps and ladders
- City of Seattle Department of Engineering

### Options Available

- Specialized coatings
- Prechanneled base
- Kor-N-Seal boots



Note: drawings not to scale