

72" Type A Precast Manhole

City of Seattle Standard Plan 202a

Flat-Top Slab Reinforcing

- #5 deformed rebar
- Seattle of Seattle requirements


Concentric Cone

- Minimum 0.120 square inches / linear foot

Manhole Wall Reinforcing

- Minimum 0.18 square inches / linear foot

Base Reinforcing

- 0.24 square inches / linear foot in both directions
-  Separated base slab 0.35 square inches / linear foot both directions

Hole or Knock Out Dimensions

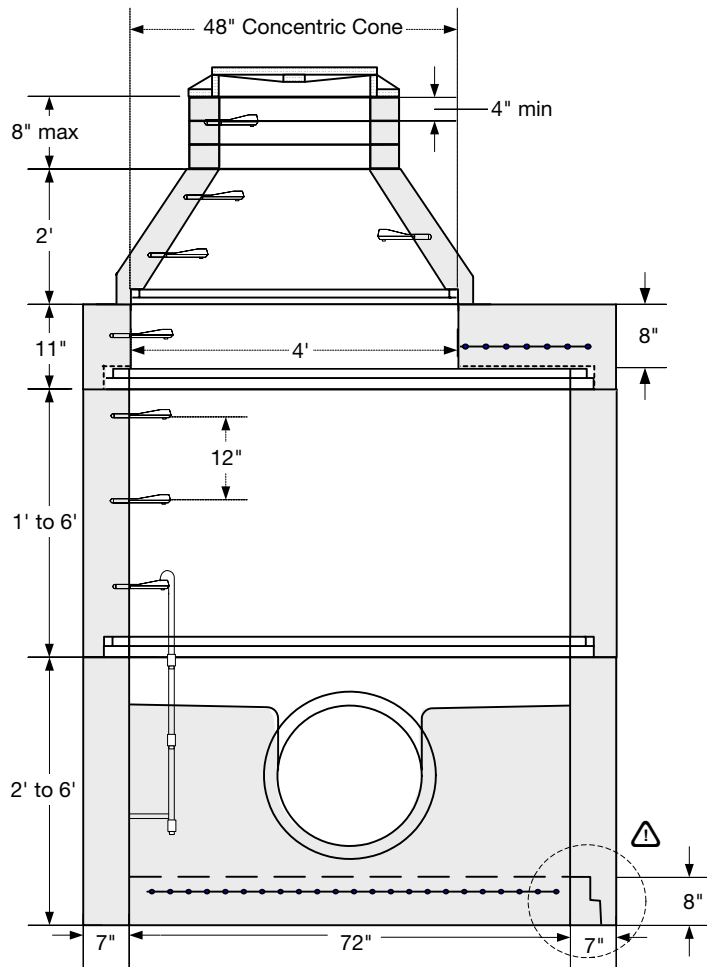
- Maximum hole size is 60 inches
- 12 inches of minimum distance between holes
- 2 inch diameter lifting holes provided
- Cored holes available

Conformity Standards

- ASTM C478 - 97 Manhole
- ASTM C443 rubber gasket joint
- ASTM D - 4101 polypropylene steps and ladders
- City of Seattle Department of Engineering

Options Available

- Specialized coatings
- Prechanneled base
- Kor-N-Seal boots



Note: drawings not to scale