

54" Type A Precast Manhole

City of Seattle Standard Plan 201a

Cone Reinforcing

- Minimum 0.135 square inches / linear foot

Manhole Wall Reinforcing

- Minimum 0.135 square inches / linear foot

Base Reinforcing

- 0.19 square inches / linear foot in both directions
- ⚠ Separated base slab 0.19 square inches / linear foot in both directions

Hole or Knock Out Dimensions

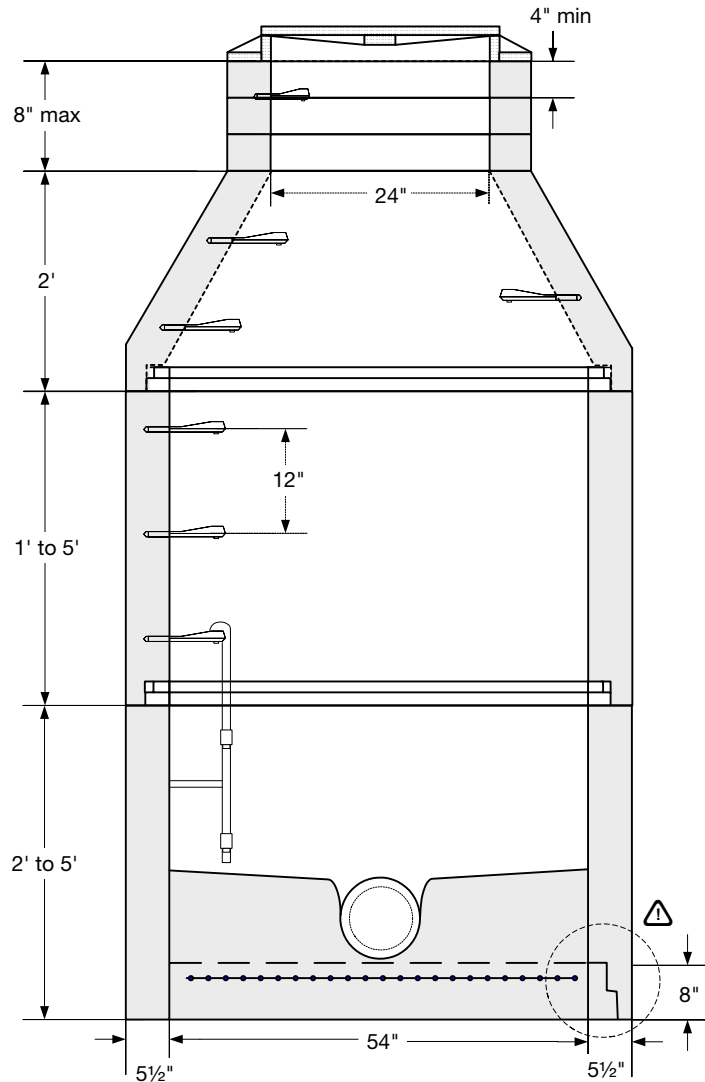
- Maximum hole size is 42 inches
- 8 inches of minimum distance between holes
- 2 inch diameter lifting holes provided
- Cored holes available

Conformity Standards

- ASTM C478 - 97 Manhole
- ASTM C443 rubber gasket joint
- City of Seattle Department of Engineering

Options Available

- Prechanneled base
- Specialized coatings
- Kor-N-Seal boots



Note: drawings not to scale