

48" Type B Precast Manhole

Standard Plan 200a


Flat-top Slab Reinforcing

- #4 deformed rebar
- Round or rectangular opening
- City of Seattle requirements

Manhole Wall Reinforcing

- Minimum 0.120 square inches / linear foot

Base Reinforcing

- 0.15 square inches / linear foot in both directions
-  Separated base slab 0.23 square inches / linear foot in both directions

Hole or Knock Out Dimensions

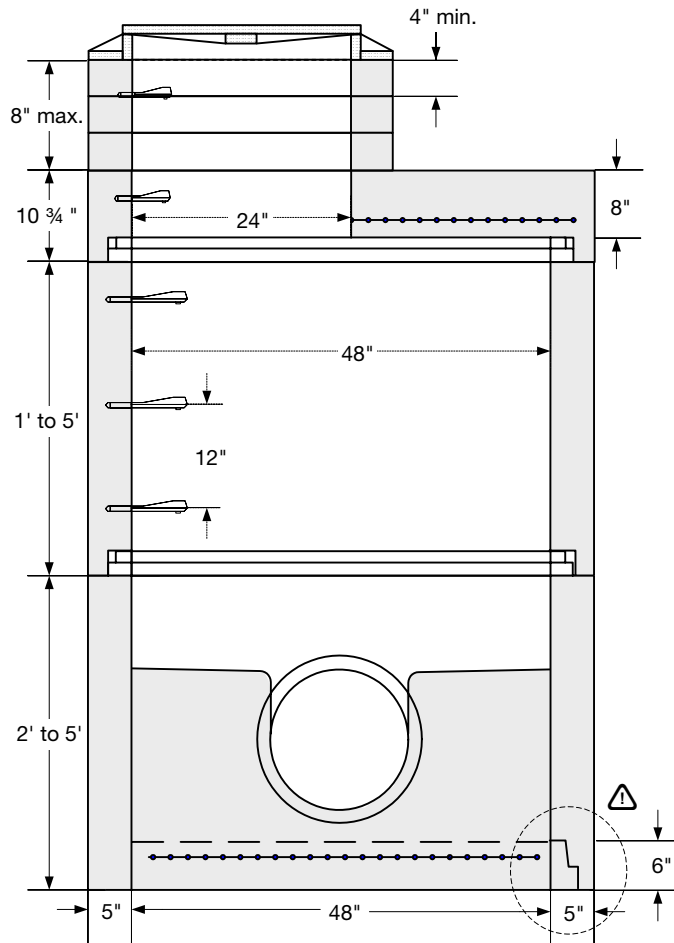
- Maximum hole size is 36 inches
- 8 inches of minimum distance between holes
- 2 inch diameter lifting holes provided
- Cored holes available

Conformity Standards

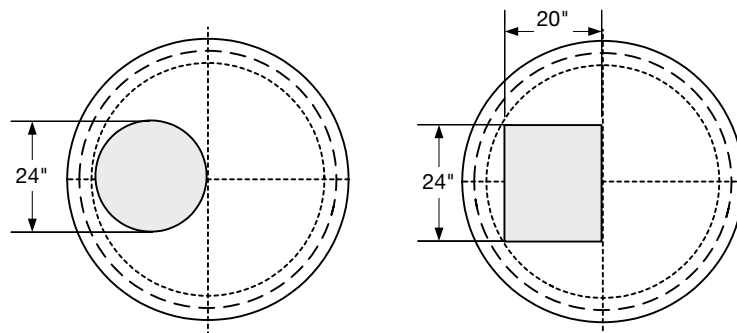
- ASTM C478 manhole - 97 Manhole
- ASTM C443 rubber gasket joint
- ASTM D - 4101 polypropylene steps and ladders
- City of Seattle Department of Engineering

Options Available

- Prechanneled base
- Specialized coatings
- Custom hatches
- Kor-N-Seal boots



Top Slab Plan View



Note: drawings not to scale