

## 48" Type A Precast Manhole City of Seattle Standard Plan 200a

### Cone Reinforcing

- Minimum 0.120 square inches / linear foot

### Manhole Wall Reinforcing

- Minimum 0.120 square inches / linear foot

### Base Reinforcing

- 0.15 square inches per linear foot in both directions
- △ Separated base slab, 0.23 square inches per linear foot in both directions
- Cored holes available

### Hole or Knock Out Dimensions

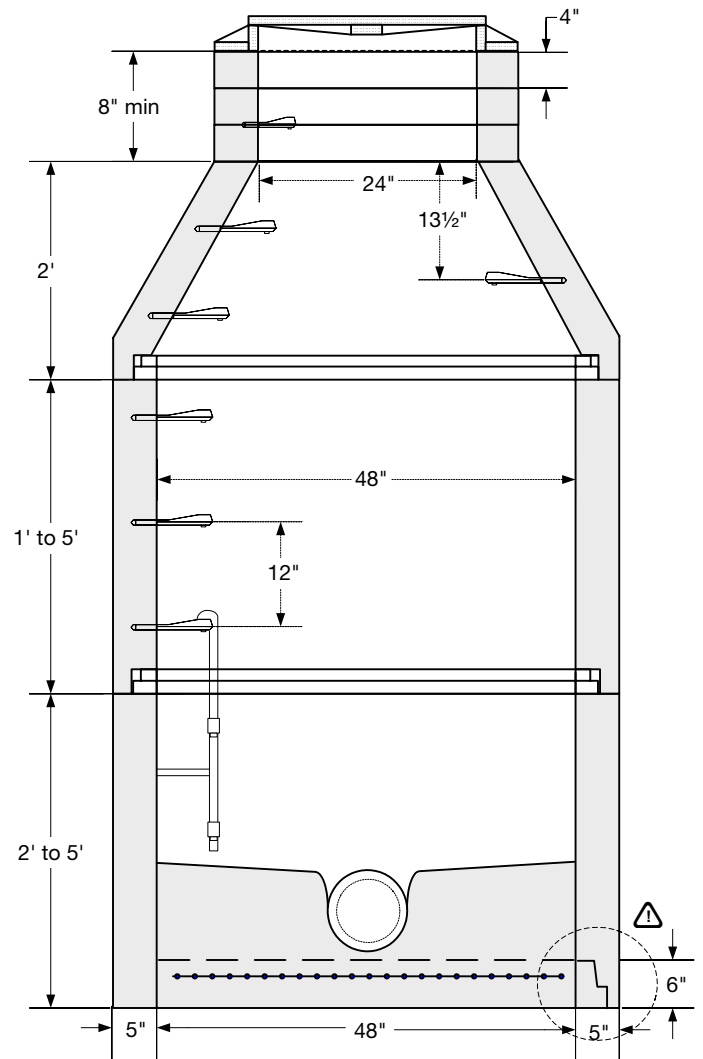
- Maximum hole size is 36 inches
- 8 inches of minimum distance between holes
- 2 inch diameter lifting holes provided

### Conformity Standards

- ASTM C478 - 97 Manhole
- ASTM C443 rubber gasket joint
- ASTM D - 4101 polypropylene steps and ladders
- City of Seattle Department of Engineering

### Options Available

- 2 foot concentric cone
- Prechanneled base
- Specialized coatings
- Kor-N-Seal boots



Note: drawings not to scale