

72" Type 2 Precast Catch Basin WSDOT B-10.20-00


Flat-top Slab Reinforcing

- #5 deformed rebar
- Round or rectangular opening

Manhole Wall Reinforcing

- Minimum 0.18 square inches / linear foot

Base Reinforcing

- 0.24 square inches / linear foot in both directions
-  Separated base slab 0.35 square inches / linear foot both directions

Hole or Knock Out Dimensions

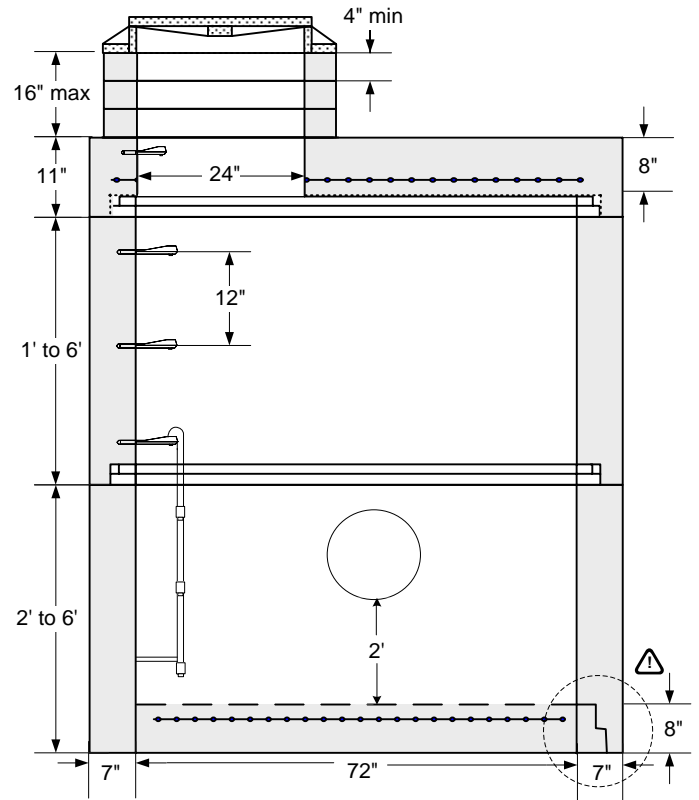
- Maximum hole size is 60 inches
- 12 inches of minimum distance between holes
- 2 inch diameter lifting holes provided
- Cored holes available

Conformity Standards

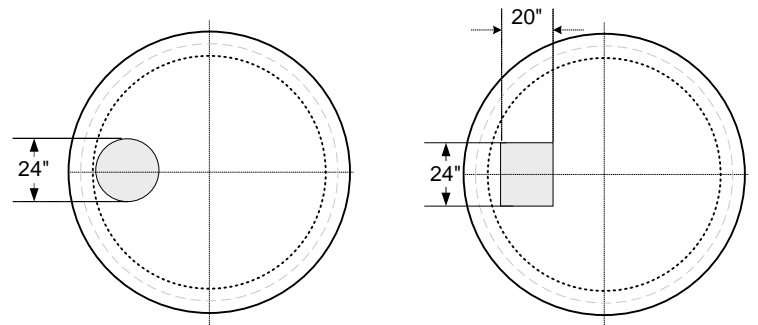
- ASTM C478 - 97 manhole
- ASTM C443 rubber gasket joint
- ASTM D - 4101 polypropylene steps and ladders
- Washington State APWA / WSDOT Standard

Options Available

- Specialized coatings
- Custom hatches
- Kor-N-Seal boots



Top Slab Plan View



Note: drawings not to scale