

84" Type 2 Precast Manhole WSDOT B-15.40-00

48" & 54" Cone Reinforcing

- Minimum 0.120 square inches / linear foot


Flat Top Slab Reinforcing

- #6 deformed rebar
- Round opening

Manhole Wall Reinforcing

- Minimum 0.24 square inches / linear foot

Base Reinforcing

-  Separated base slab, 0.39 square inches / linear foot both directions

Hole or Knock Out Dimensions

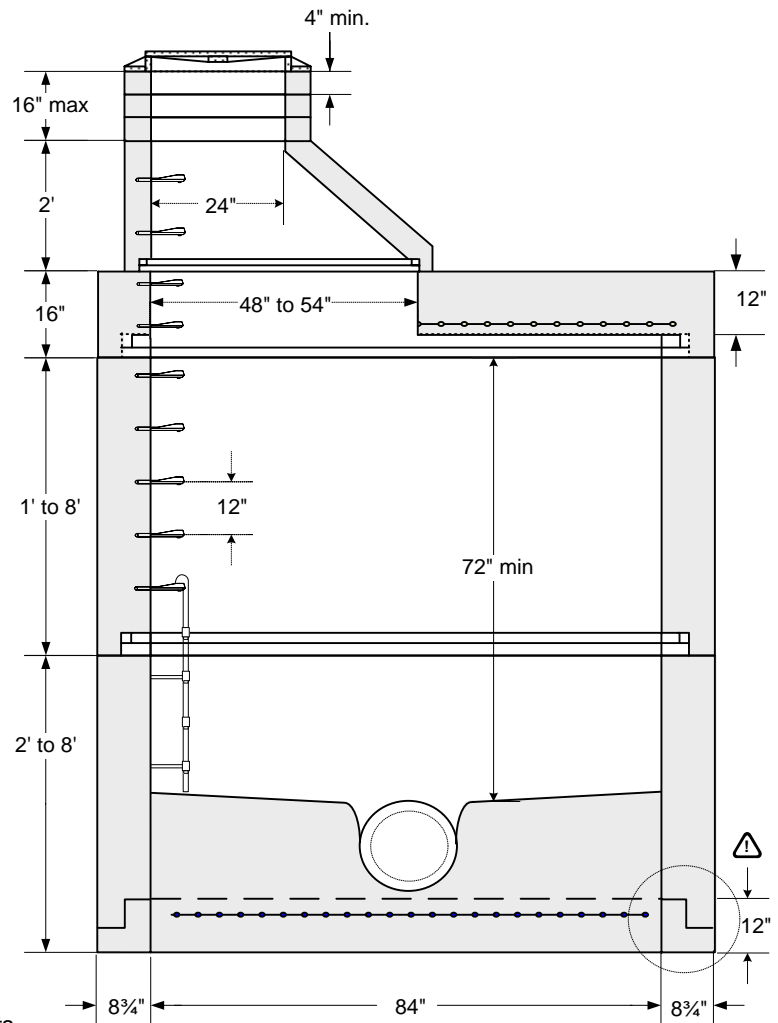
- Maximum hole size is 72 inches
- 12 inches of minimum distance between holes
- 3 inch diameter lifting holes provided
- Cored holes available

Conformity Standards

- ASTM C478 - 97 Manhole
- ASTM C443 rubber gasket joint
- ASTM D - 4101 polypropylene steps and ladders
- Washington State APWA / WSDOT Standard

Options Available

- 48 inch cones available in 2 foot and 3 foot heights
- 54 inch cones are available in 2 foot heights only
- Prechanneled base
- Specialized coatings
- Kor-N-Seal boots



Note: drawings not to scale