

## 72" Type 2 Precast Manhole

WSDOT B-15.40.00

### 48" & 54" Cone Reinforcing

- Minimum 0.120 square inches / per linear foot
- Minimum 0.135 square inches / per linear foot

### Flat-top Slab Reinforcing

- #5 deformed rebar
- Round opening

### Manhole Wall Reinforcing

- Minimum 0.18 square inches / linear foot

### Base Slab Reinforcing

- 0.24 square inches / linear foot in both directions
- $\triangle$  Separated base slab 0.35 square inches / linear foot both directions

### Hole or Knock Out Dimensions

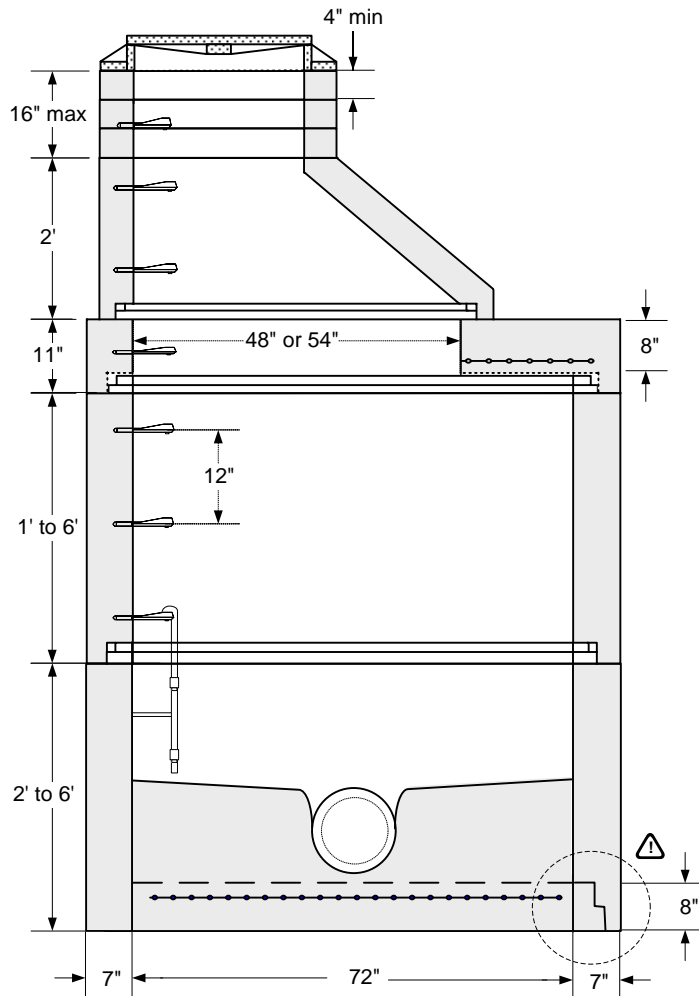
- Maximum hole size is 60 inches
- 12 inches of minimum distance between holes
- 2 inch diameter lifting holes provided
- Cored holes available

### Conformity Standards

- ASTM C478 - 97 manhole
- ASTM C443 rubber gasket joint
- ASTM D - 4101 polypropylene steps and ladders
- Washington State APWA / WSDOT Standard

### Options Available

- Prechanneled base
- Specialized coatings
- Sealcon Gu lined base
- Kor-N-Seal boots



Note: drawings not to scale