

Catch Basin Type 40

Reinforcing

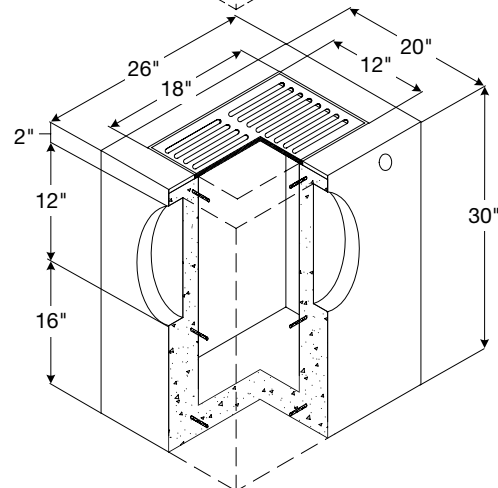
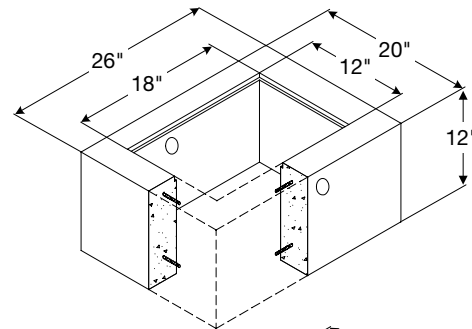
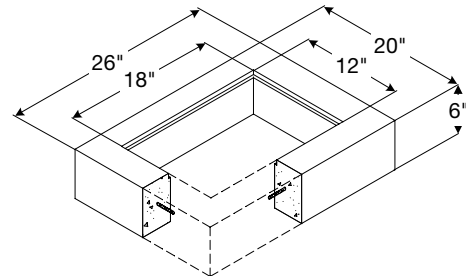
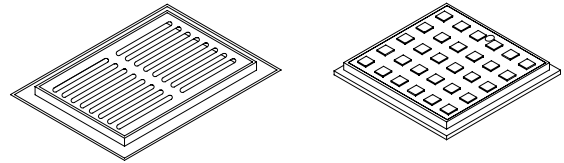
- ASTM A-615 Specifications
- All components
- #3 grade 60 reinforcing bar

Cast Iron Grate

- The 14" x 20" cast iron grate drops in the recessed area at the top of the basin or riser
- An 14" x 20" frame & grate is available

Additional Information

- The base unit has a 12" diameter knock-out on each of the four sides
- Base unit - 1000 lbs
- 6 inch Riser - 150 lbs
- 12 inch Riser - 300 lbs
- 1½ inch hole on each side for handling



Note: drawings not to scale