

## Catch Basin Type 30

### Reinforcing

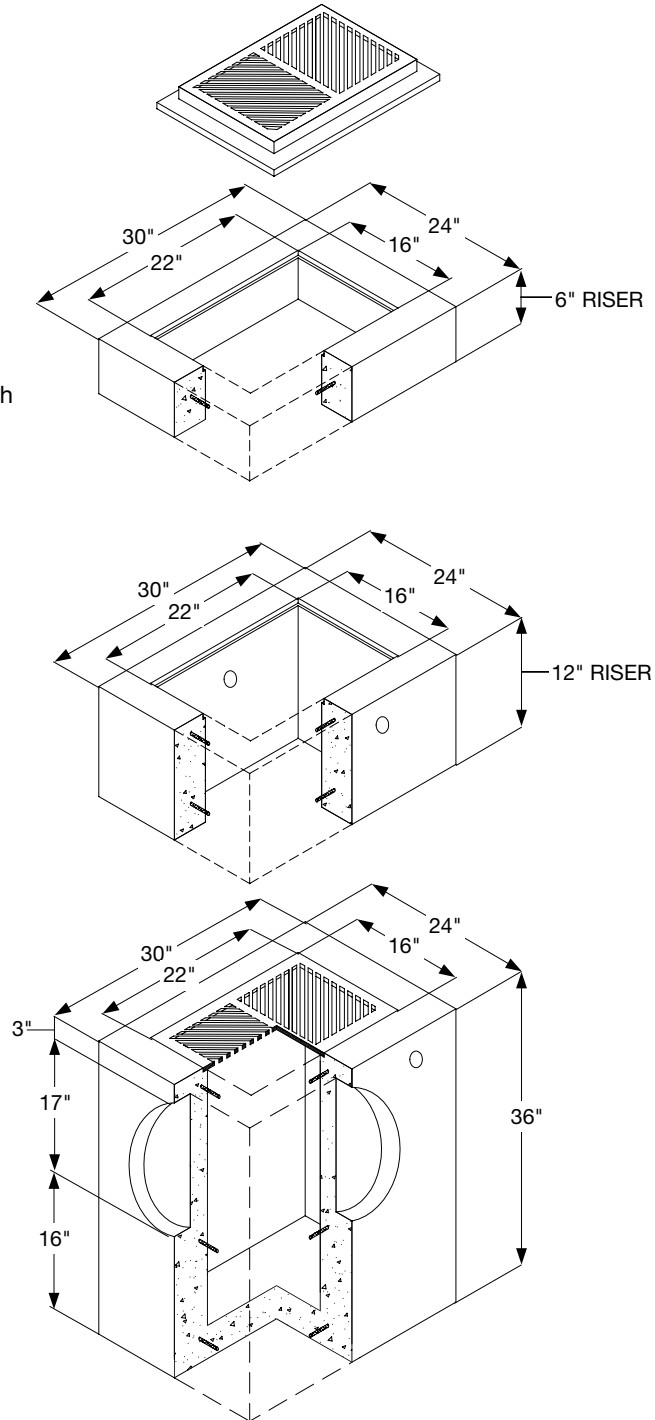
- Reinforcing meets ASTM Standard Specifications
- #3 grade 60 reinforcing bar

### Cast Iron Grate

- The 18" x 24" cast iron grate drops in the recessed area at the top of the basin or riser
- An 18" x 24" frame & grate is available upon request

### Additional Information

- The base unit has a 17 inch diameter knock-out on each of the four sides
- Base - 1100 lbs
- 6 inch Riser - 180 lbs
- 12 inch Riser - 360 lbs
- 1½ inch hole on each side for handling



Note: drawings not to scale