

Curb Inlet Type 26M

Reinforcing

- ASTM A-615
- All components
- #3 grade 60 reinforcing

6 Inch Riser

- 300 lbs

12 Inch Riser

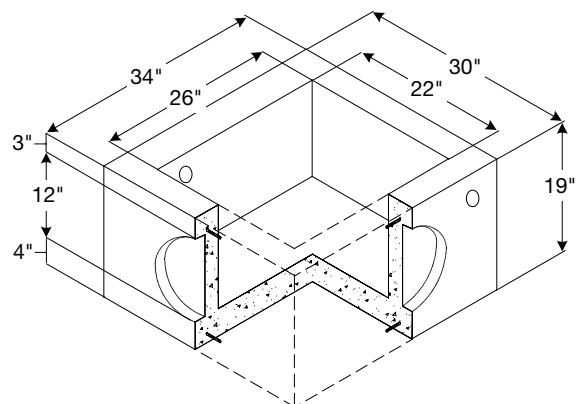
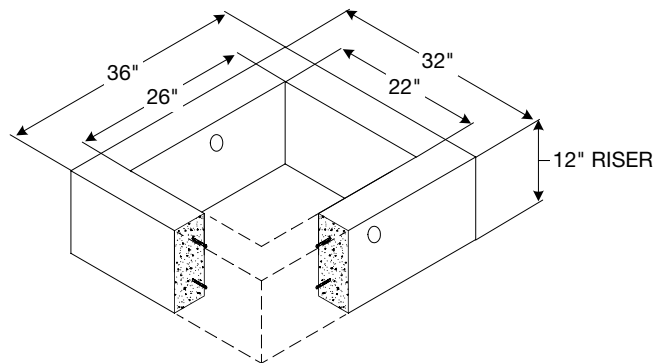
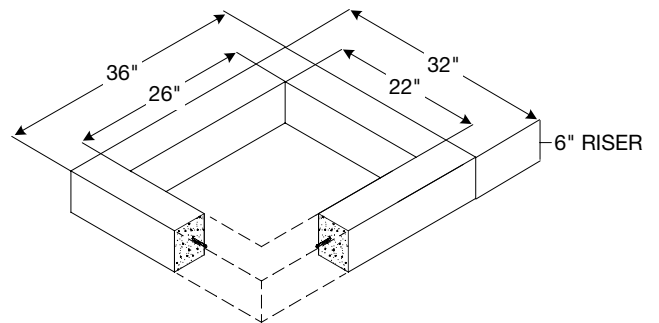
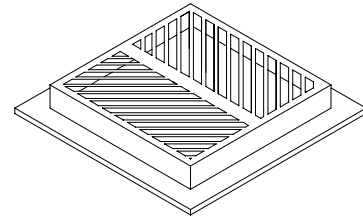
- 800 lbs

Precast Base

- Base unit has four-way knock outs provided for pipe entry
- 1100 lbs
- 1½ inch hole on each side for handling

Conformity Standards

- Washington State APWA / WSDOT Standard Specifications Modified



Note: drawings not to scale