

## Catch Basin Type 241a

Seattle Standard Plan

### Reinforcing

- ASTM A-615
- All components
- #3 grade 60 reinforcing

### 6 Inch Riser

- 300 lbs

### 12 Inch Riser

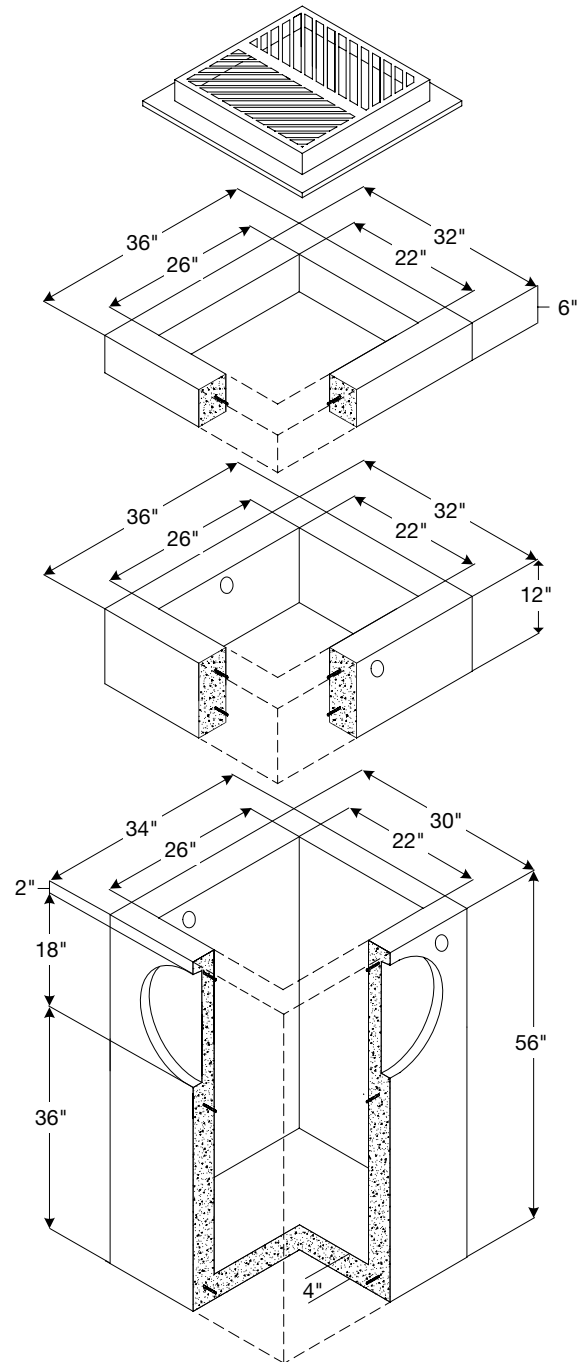
- 600 lbs

### Precast Base

- Base unit has four-way knock outs provided for pipe entry
- 2500 lbs

### Conformity Standards

- Washington State APWA / WSDOT Standard Specifications
- Seattle Engineering Department for reinforcing



Note: drawings not to scale