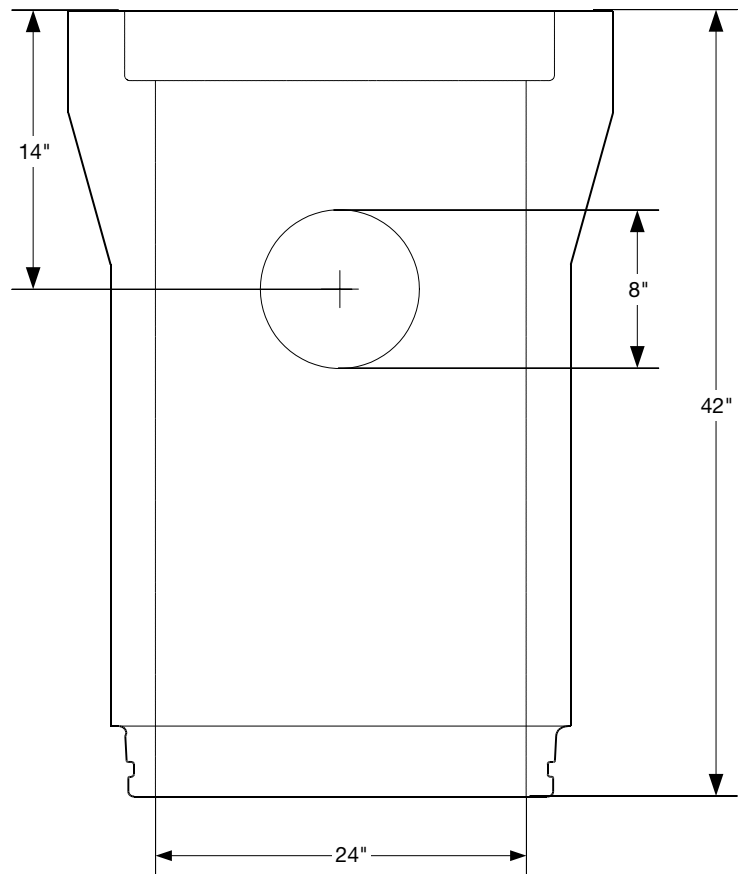
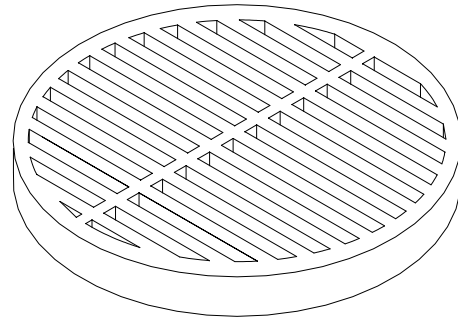


## 24" Type 45 Area Drain Bell & Spigot

### Item Details

- Catch basin designed for small grass areas or residential driveways
- Open bottom to be placed on twelve inches(12") of washed rock
- Concrete pour to form floor in catch basin is available
- 915 lbs
- Tile Grate



Note: drawings not to scale